

Drying cabinet

TS5121

Features and benefits

- A drying cabinet is used to efficiently dry bulky or sensitive items
- No mechanical action - suitable for all kinds of garments such as gloves, shoes and delicate garments like silk and linen
- Extended lifetime of sensitive garments/work wear
- Time saving when used instead of flat or hang drying
- Ergonomic design - handle along whole side of the door and user friendly height of control panel, suitable for disabled users
- Hangers made of stainless steel/insulated doors for quiet operation and robust design
- The drying cabinet works with suction which prevents leakage of air into the room
- Double fans and air ducts create a perfect air balance and even drying result in the whole drying cabinet
- Easy operation:
 - 2 automatic drying programs will stop once the load is dry
 - Large door and opening angle
 - 18 extensible hangers for easy loading/unloading
 - Built in work light
- Flexible installation:
 - Adjustable feet

Options

- Kit including shoe rack and glove hanger for easier drying of shoes, boots, gloves, hats etc
- Hanging bar for easier hanging of garments
- Wall instruction can be found on Electrolux Professional Website



Main specifications		TS5121
Rated capacity	kg	8
Evaporation*	g/min	84
Drying time cotton*	min	47
Rated input	kW	6.2
Energy/load of linen	kWh/kg	0.6
Energy/water evaporated	kWh/l	1.14

* Applies to 8 kg dry weight cotton with 50% residual moisture

Electrical connection		TS5121
Voltage	400V 3N AC 50 Hz	
Traditional thread locker	kW(A)	6.2(10)
Automatic circuit breaker	kW(A)	6.2(13)
Connections		
Outlet	∅ mm	125
Evacuated air quantity	m ³ /h	200
Pressure drop*	Max. Pa	70
Sound level		
Sound pressure level**	dB(A)	<70
Weight		
	netto, kg	134
Dimensioner i mm		
A	Width	1200
B	Depth	580
C	Height	1820
D		1635
E		185
F		811
G		529
H		430
I		215
J		600
1 Operating panel 2 Electrical connections 3 Air outlet***		

Colour of front and side panels:
 blue (NCS S2050-R90B), (RAL 250 6030) light grey (NCS S3005-R80B),
 (RAL 260 7005)

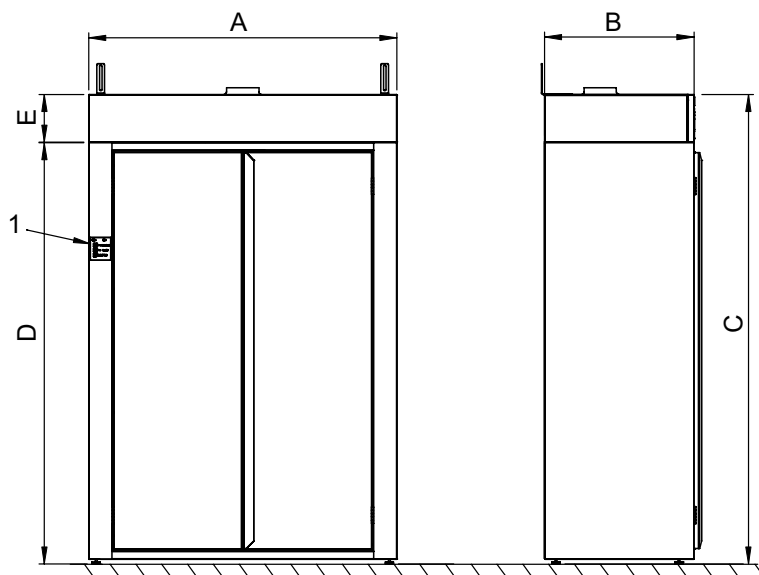
Connection cable not supplied

* Corresponds to 23 m straight duct

For 160 mm dia outlet connection, approx. 70 m straight duct applies

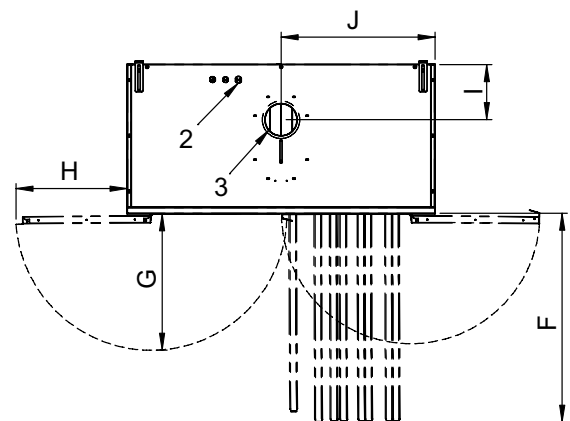
** A-weighted emission sound pressure level at workingstations

*** Connected to a separate duct or general ventilation



Front

Right view



View from above